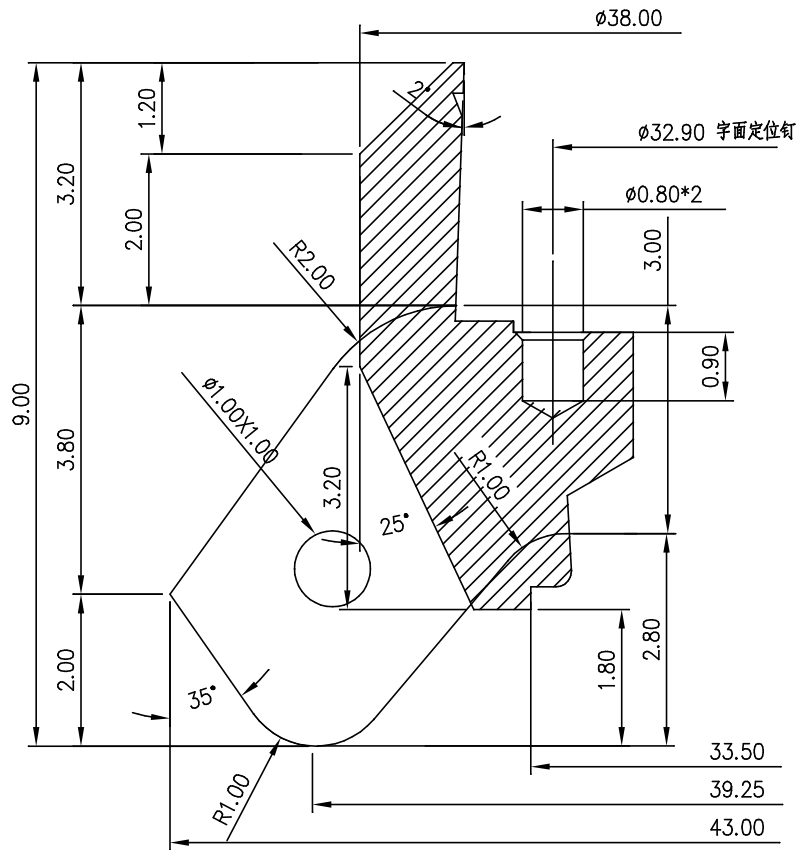


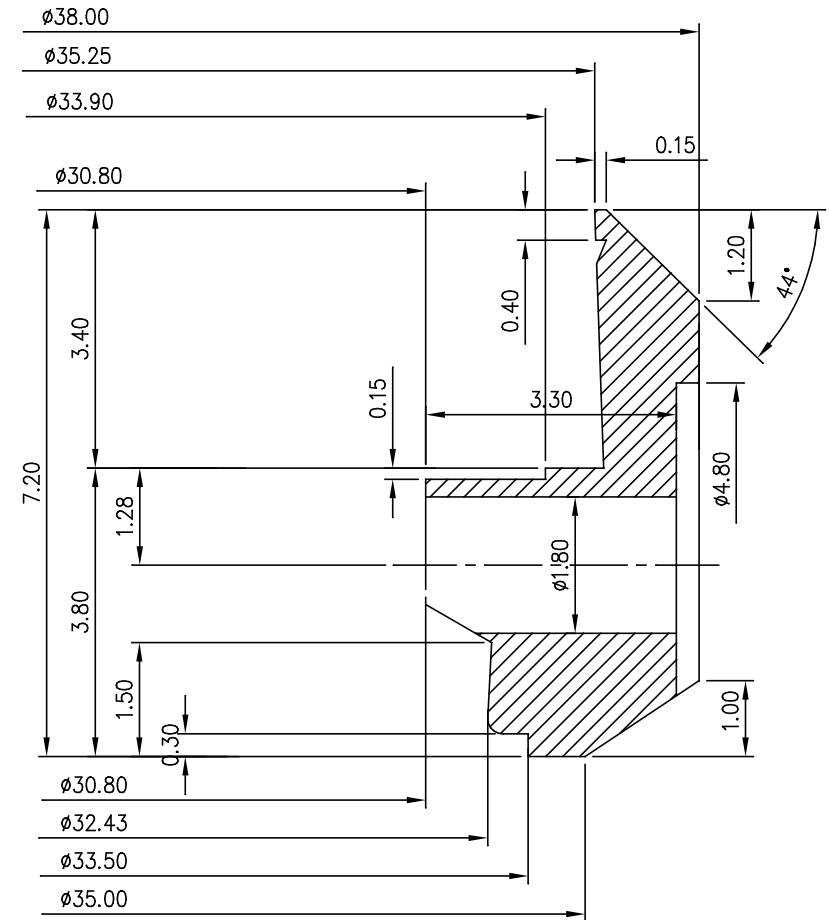
vast.

DRAWING NO.	1672L	UNITS	MM	EDITION	AO	APPROVED BY	CHECKED BY	DRAWING BY		4
MOV,T NO	OT45	MATERIAL	316							3
WATER PROOF	5ATM	SCALE	2:1							2
PAGE	2/10	PARTS NAME	Three Views	CUSTOMER NO.	GENERAL TOLERANCES	±0.05/±0.5°		2016.10.10		1
								DATE		RECOVER

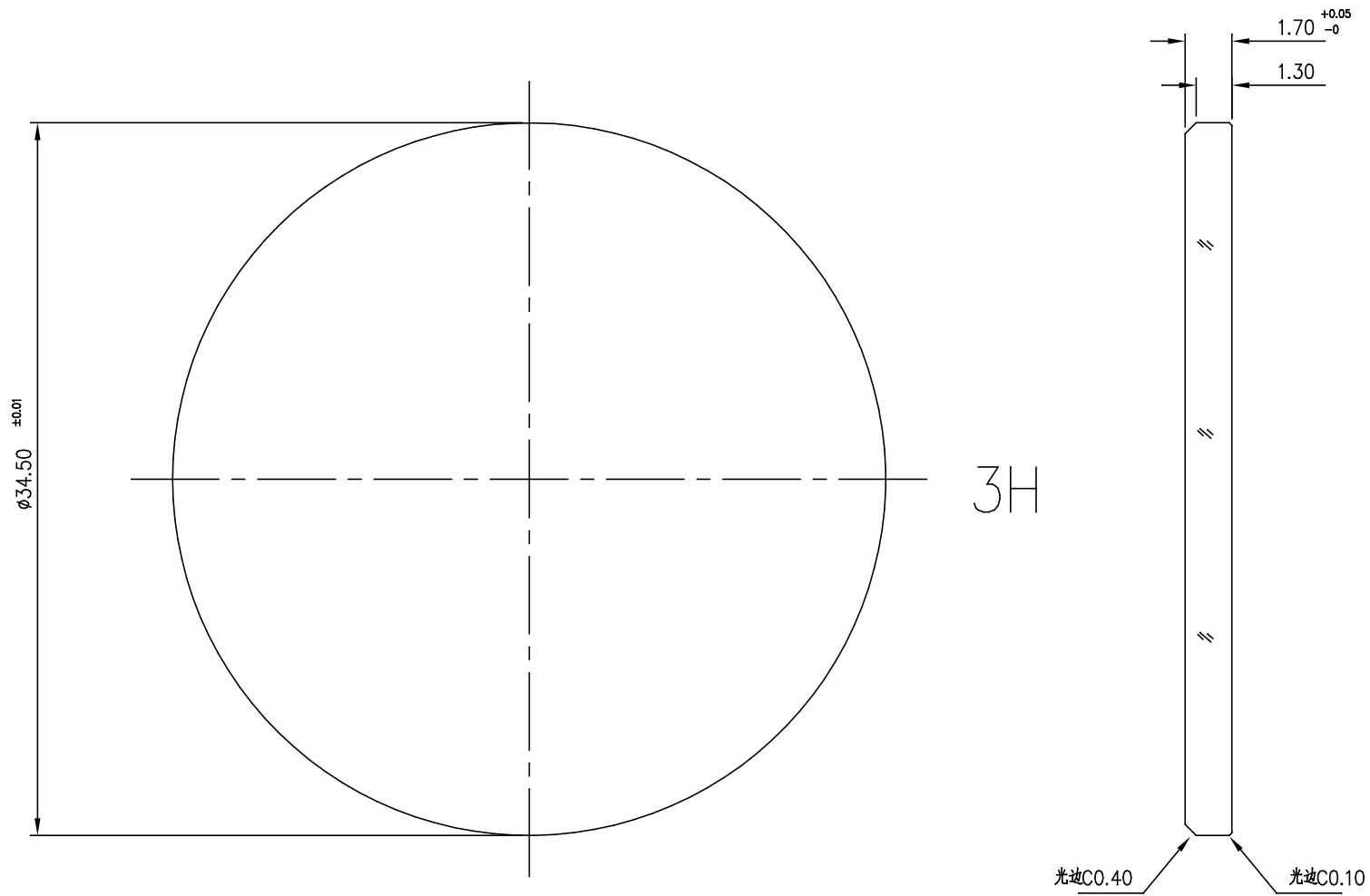
SECTION: 6-12H



SECTION: 3H



DRAWING NO.	1672L	UNITS	MM	EDITION	AO	APPROVED BY	CHECKED BY	DRAWING BY	4				
	MOV,T NO								OT45	MATERIAL	316	3	
	WATER PROOF								5ATM	SCALE	10:1	2	
	CUSTOMER NO.									GENERAL TOLERANCES	$\pm 0.05/\pm 0.5^\circ$	1	
PAGE	3/10	PARTS NAME	CNC	CUSTOMER NO.		DATE	2016.10.10	RECOVER					



vast.

DRAWING NO.	1672L	UNITS	MM	EDITION	AO
MOV,T NO	OT45	MATERIAL			
WATER PROOF	5ATM	SCALE	3:1		

APPROVED BY	CHECKED BY	DRAWING BY

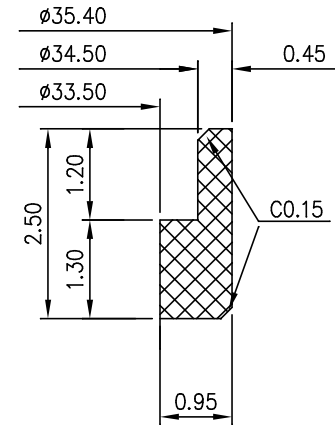
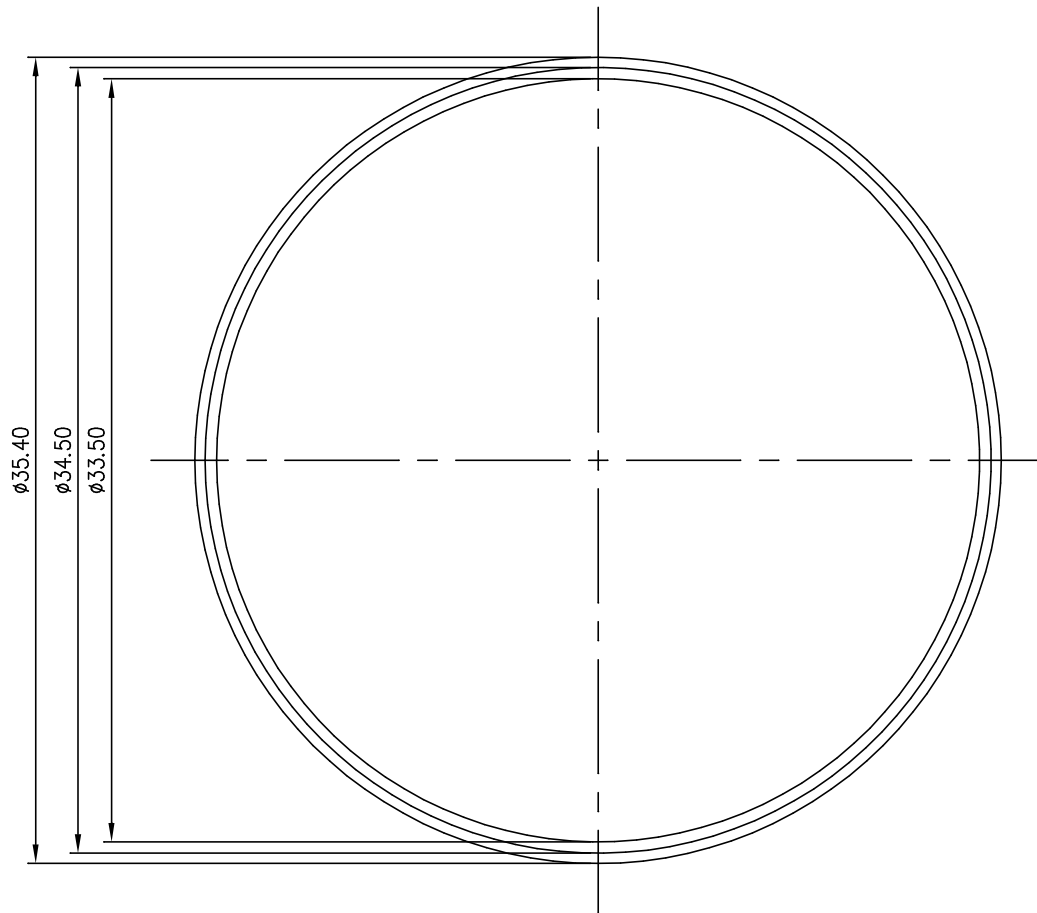
	4	
	3	
	2	
	1	

PAGE	4/10	PARTS NAME	Crystal
------	------	------------	---------

CUSTOMER NO.		GENERAL TOLERANCES	$\pm 0.05/\pm 0.5^{\circ}$
--------------	--	--------------------	----------------------------

		2016.10.10
--	--	------------

DATE		RECOVER
------	--	---------

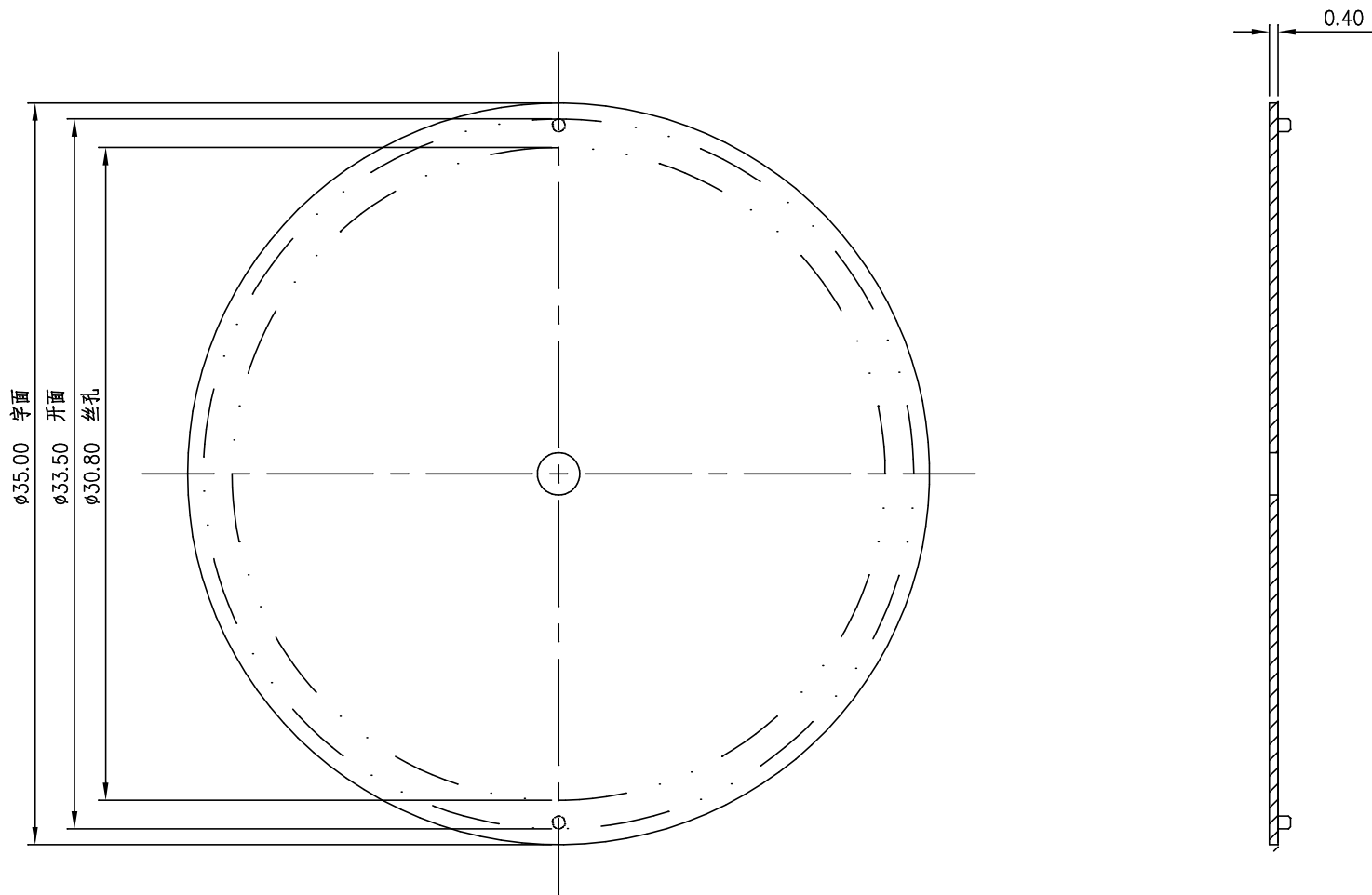


vast.

DRAWING NO.	1672L	UNITS	MM	EDITION	AO
MOV,T NO	OT45	MATERIAL			
WATER PROOF	5ATM	SCALE	3:1&10:1		
CUSTOMER NO.		GENERAL TOLERANCES	±0.05/±0.5°		

APPROVED BY	CHECKED BY	DRAWING BY

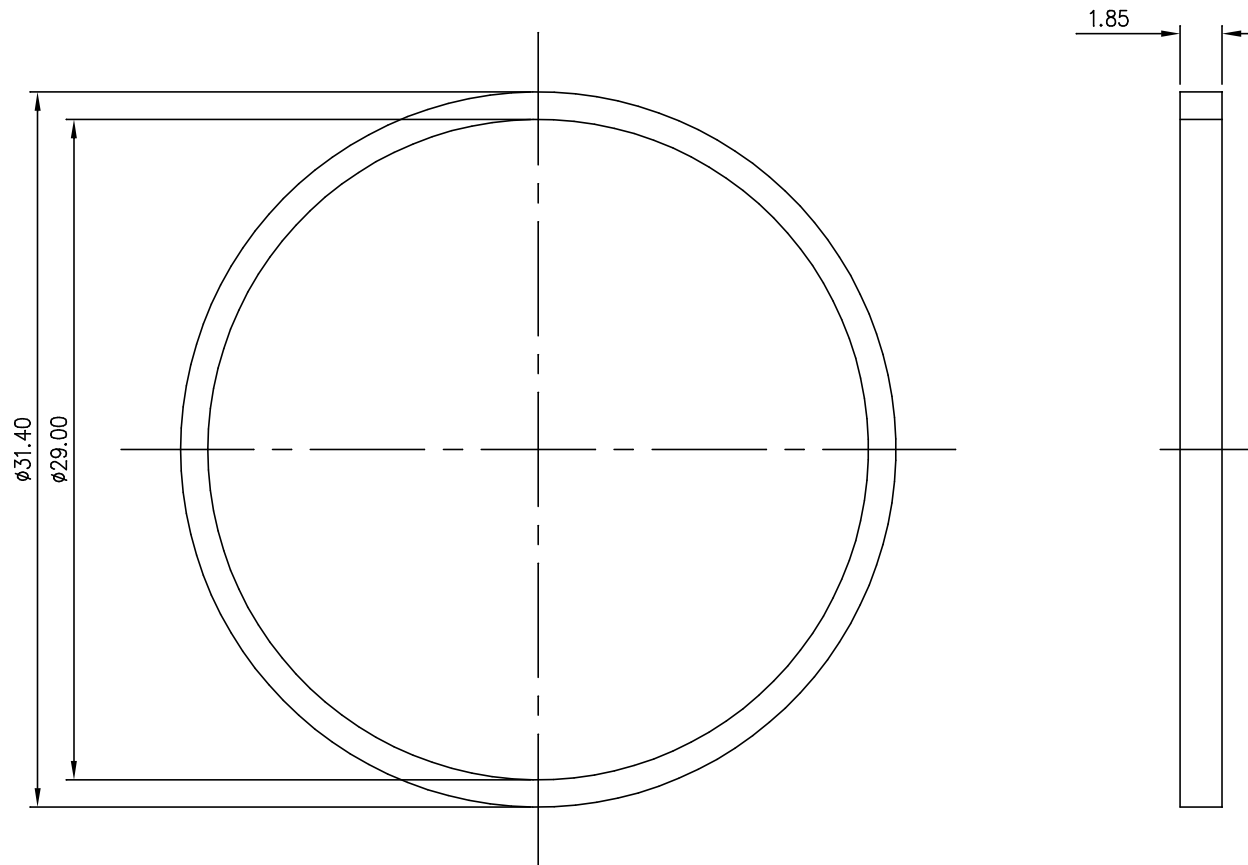
4
3
2
1



双层面 要加入壳定位钉和机芯钉 配合机芯

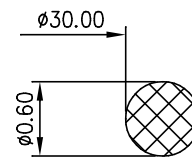
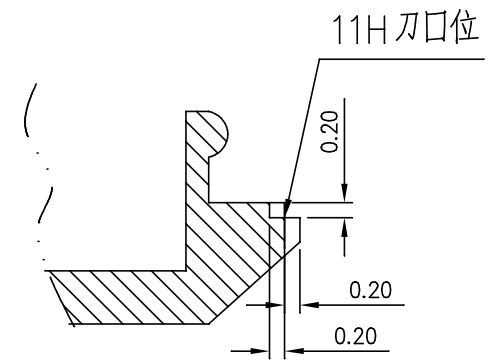
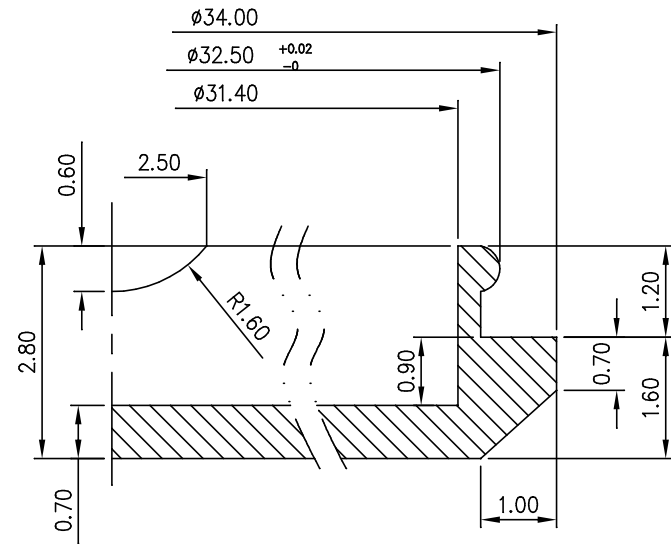
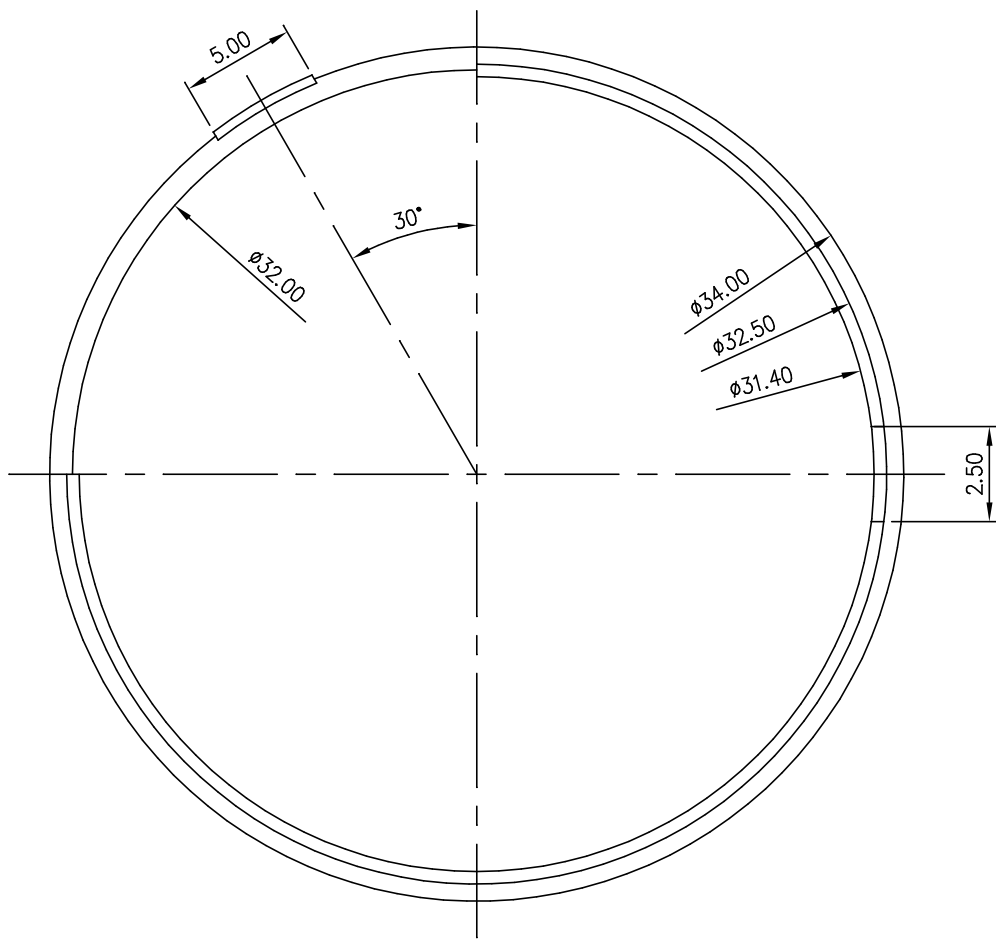
vast.

DRAWING NO.	1672L	UNITS	MM	EDITION	AO	APPROVED BY	CHECKED BY	DRAWING BY		4	
MOV,T NO	OT45	MATERIAL								3	
WATER PROOF	5ATM	SCALE		3:1						2	
CUSTOMER NO.		GENERAL TOLERANCES		±0.05/±0.5°				2016.10.10		1	
PAGE	6/10	PARTS NAME	Dial					DATE			RECOVER



vast.

DRAWING NO.	1672L	UNITS	MM	EDITION	AO	APPROVED BY	CHECKED BY	DRAWING BY		4	
MOV,T NO	OT45	MATERIAL								3	
WATER PROOF	5ATM	SCALE		3:1						2	
CUSTOMER NO.		GENERAL TOLERANCES		$\pm 0.05/\pm 0.5^*$				2016.10.10		1	
PAGE	7/10	PARTS NAME	Gasket						DATE		RECOVER



SECTION 20:1

vast.

DRAWING NO.	1672L	UNITS	MM	EDITION	AO
MOV,T NO	OT45	MATERIAL	316		
WATER PROOF	5ATM	SCALE	3:1&10:1		

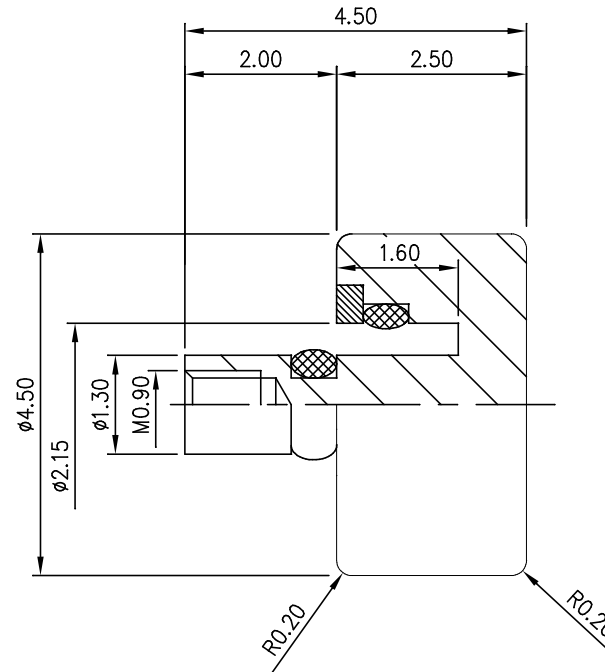
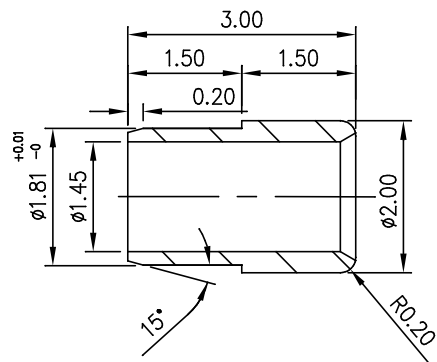
APPROVED BY	CHECKED BY	DRAWING BY

4
3
2
1

PAGE	8/10	PARTS NAME	Caseback	CUSTOMER NO.		GENERAL TOLERANCES	$\pm 0.05/\pm 0.5^*$
------	------	------------	----------	--------------	--	--------------------	----------------------

2016.10.10

DATE		RECOVER
------	--	---------

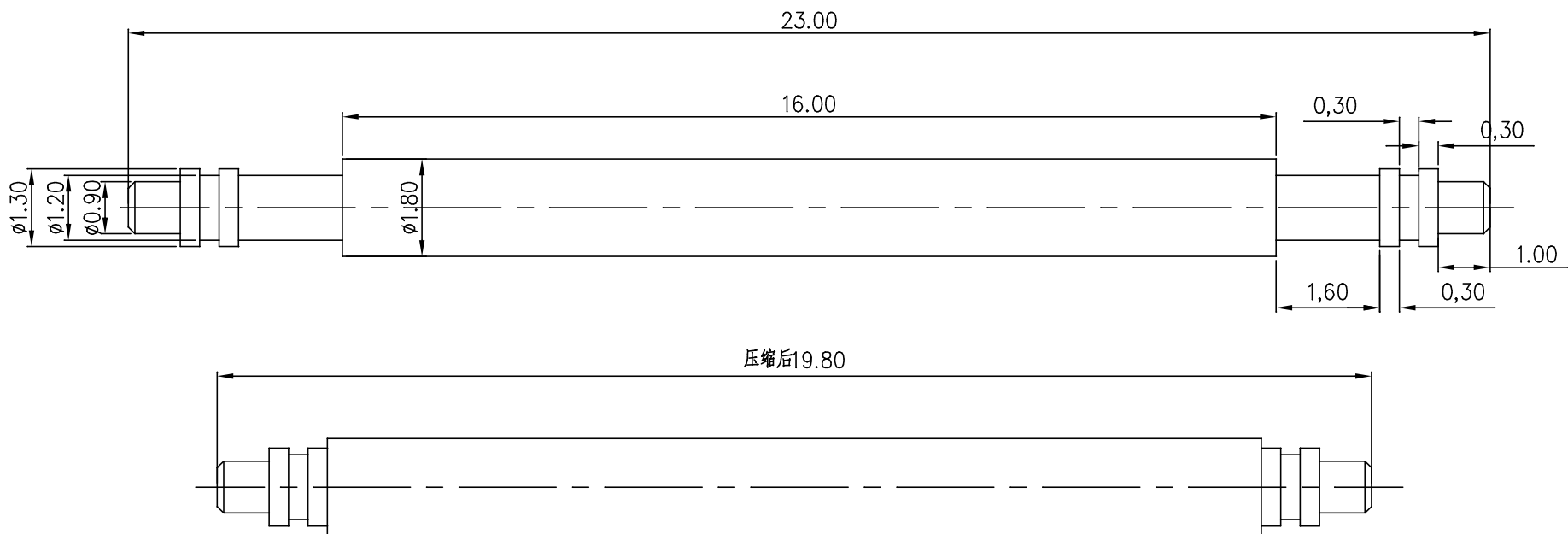


vast.

DRAWING NO.	1672L	UNITS	MM	EDITION	AO
MOV,T NO	OT45	MATERIAL	316		
WATER PROOF	5ATM	SCALE	10:1		
CUSTOMER NO.		GENERAL TOLERANCES	$\pm 0.05/\pm 0.5^\circ$		

APPROVED BY	CHECKED BY	DRAWING BY

4
3
2
1



耳位20.00X2PCS

vast.

DRAWING NO.	1672L	UNITS	MM	EDITION	AO
MOV,T NO	OT45	MATERIAL	316		
WATER PROOF	5ATM	SCALE	10:1		
CUSTOMER NO.		GENERAL TOLERANCES	$\pm 0.05/\pm 0.5^*$		

APPROVED BY	CHECKED BY	DRAWING BY
		2016.10.10
		DATE

4
3
2
1

RECOVER